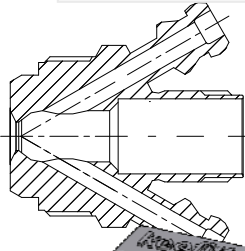
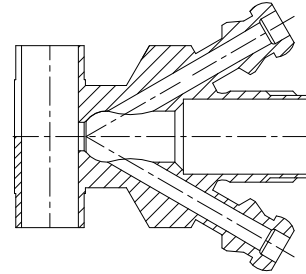


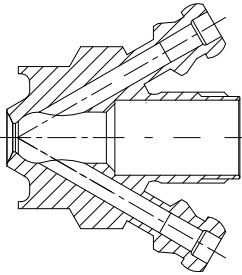
Valve body Type S
Item no.: 400031



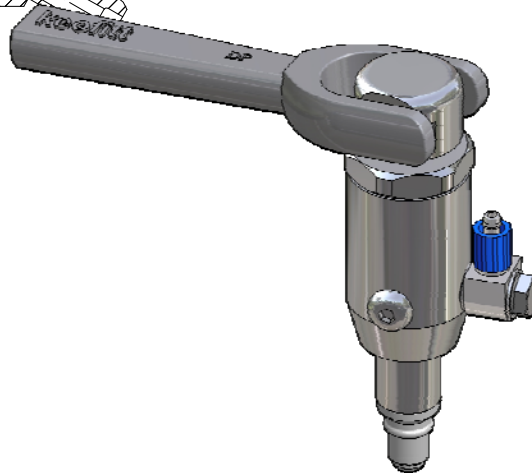
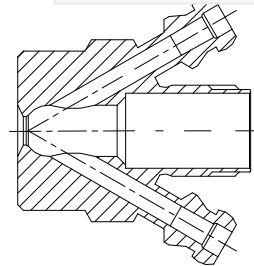
Valve body Type P
Item no.: 400017



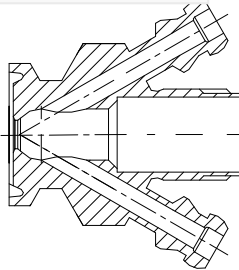
Valve body Type P
Item no.: 400011



Valve body Type T
Item no.: 400001



Valve body Type C
Item no.: 400021



Available with:



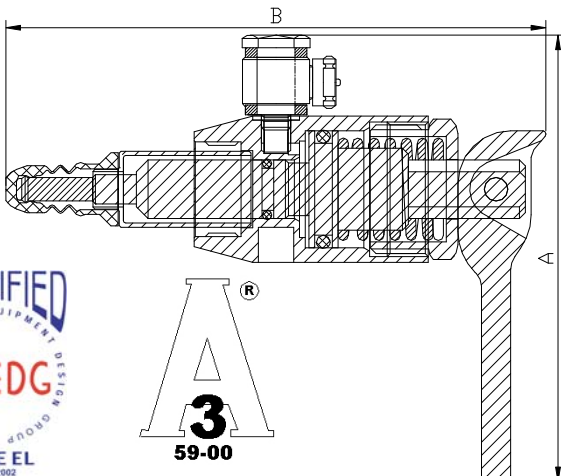
PTFE (TFM 1600)
Membrane
Item no. 400055



EPDM membrane
Item no.: 400052
See: 400044



Silicone membrane
Item no.: 400051
See: 400044



Where to use :

How to use:

Installation:

Material:

Steel Parts:

Membrane

Key measurements

Drawing part A:

Drawing part B:

Net weight:

Temp. range:

Product pressure range:

Air supply pressure range:

Lever included

With Valves bodies M4

Pneumatically and manually operated

Screwed in Valve body

AISI 304 / 316 / 316L(1.4404)

Silicone/ EPDM/ PTFE

77 mm.

94 mm. 3.03 In.

0.25 kg./pc 3.70 In.

1⁰ C - 150⁰ C 0.55 lb

0 - 6 bar(g) 34°F - 302°F

4 - 7 bar(g) 0 - 87 psi(g)

58 - 101 psi(g)