

MICRO PORT TYPE C 1"

ART. NO. 900058

GENERAL



The KEOFITT MICRO PORT is a re-sealing rubber septum designed to take samples using hypodermic needles or syringes with minimal risk of cross-contamination. Designed for sampling low viscosity products.



The sampling valve can be used for any process sampling for chemical and/or physical analysis.



To be used with cotton wick for sanitation (900055)



Designed for sampling of liquids with a viscosity of up to approx. 50 cP.



Please note that the sealing capacity is reduced with piercing.



FEATURES



Installation: Clamp connection 1"/NA



Operation: Manually operated



To be used with hypodermic needle (900054)



Septum: Butyl IIR (B402F - grey)

CERTIFICATION*

· 3.1 Material Certificate · EU 1935/2004 · FDA §177.2600 · Ra Cert. incl. measurements

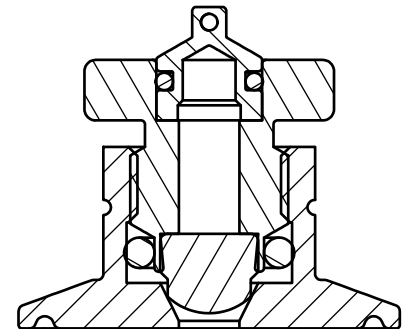
TECHNICAL DATA

Material (product contact)

· Steel parts	AISI 316L (1.4404)
· Membrane	Butyl IIR (B402F - grey)

Material (without product contact)

· Steel parts	AISI 316L (1.4404)
· O-ring	EPDM (FDA · EU 1935/2004)



Septum

· Article & Certification* BUTYL IIR, GREY (#900049) FDA · USP · EU 1935/2004

Surface Treatment

· Outside	Electropolished Ra <= 1.2 µm
· Inside & process	Ra <= 0.5 µm

Pressure & Temperature

· Pressure	0 - 6 bar (g) / 0 - 87 psi (g)
· Temperature	1 - 110°C / 34 - 230° F

Net Weight

· Kg/lbs	0,208 kg / 0,35 lbs
----------	---------------------

Spareparts

779056	PARTS FOR MICRO PORT 900014/56/57/58
--------	--------------------------------------

