



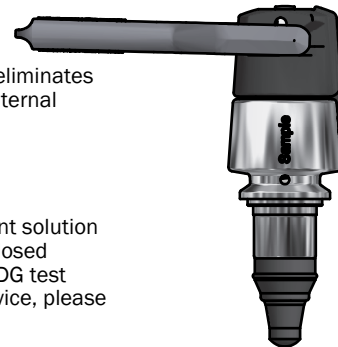


## SESAME HEAD TYPE Q

ART. NO. 890043

### GENERAL

-  The KEOFITT SESAME Sampling Valve is our patented double-seat sampling valve. Unique in the market, it eliminates dead-leg during sampling while incorporating steam supply control. Unique serial no. for each valve ("E" = internal electro polish).
-  The sampling valve can be used for any process sampling for chemical and/or physical analysis.
-  Cleaning/sterilizing: Between batches: Valve in open position: Cleanable by means of CIP using the detergent solution suitable for the actual process media (EHEDG certificate available). Between samples: Valve in its normal closed position: cleanable by CIP as "Between batches" or the valve may be sterilized by means of steam SIP (EHEDG test report available) or chemical SIP using a procedure appropriate to the actual circumstances. For further advice, please contact Keofitt.
-  Designed for sampling of liquids with a viscosity of up to approx. 1.000 cP containing no particles larger than Ø2 mm. Sampling of more viscous liquids is possible, only will it take longer (depending on process pressure).



### FEATURES

-  Installation: Clamped connection
-  Operation: Lever handle
-  Depending on choice of valve body
-  Membrane: Silicone (QBF-65 - grey)

### CERTIFICATION\*

· Conforms to 3-A · EHEDG CIP · EU 1935/2004

### TECHNICAL DATA

#### Material (product contact)

· Membrane                      Silicone (QBF-65 - grey)

#### Material (without product contact)

· Steel parts                      AISI 316L (1.4404)  
· Steel parts                      AISI 304 (1.4301)  
· Lever handle                    AISI 316L (1.4404)

#### Membrane

· Article                              SILICONE, GREY (# 600051)  
· Certification\*                    FDA · USP · EU 1935/2004

#### Pressure & Temperature

· Pressure                            0 - 6 bar (g) / 0 - 87 psi (g)  
· Temperature                    1 - 130°C / 34 - 266° F  
· Air supply                         -

#### Net Weight

· Kg/lbs                                0,863 kg / 0,00 lbs

