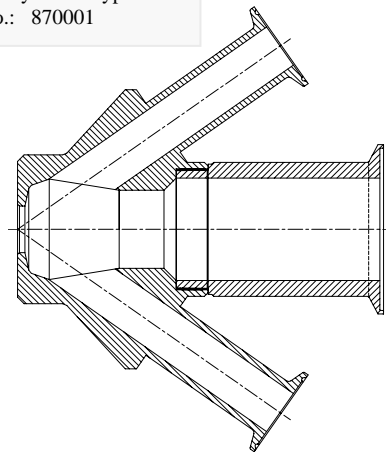


Valve body W 25 Type T
Item no.: 870001



Where to use :	With Valves bodies W25	
How to use:	Pneumatically operated	
Installation:	Fastened in Valve body with clamp	
Material:		
Steel Parts:	AISI 304 / 316L(1.4404)	
Membrane	FDA approved PTFE	
Key measurements		
Drawing part A:	87 mm.	3.43 In.
Drawing part B:	396 mm.	15.59 In.
Net weight:	4.6 kg./pc	10.14 lb
Temp. range:	1 ⁰ C - 150 ⁰ C	34°F - 302°F
Product pressure range:	0 - 6 bar(g)	0 - 87 psi(g)
Air supply pressure range:	5 - 7 bar(g)	73 - 101 psi(g)