



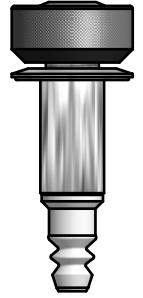


VALVE HEAD W15 TYPE H PTFE

ART. NO. 865541

GENERAL

-  The KEOFITT CLASSIC W15 Sampling Valve is designed for high viscosity sampling such as fruit pulp etc. Design based on the original KEOFITT and based on one-piece-construction.
-  The sampling valve can be used for any process sampling for microbiological, chemical and/or physical analysis.
-  The valve can be sterilized by means of SIP (EHEDG test) and cleaned by means of CIP (EHEDG certified). Not recommended for autoclave due to plastic parts.
-  The product to be sampled should have a maximum viscosity of 0-50.000 cP and should not contain particles larger than 8 mm diameter.



FEATURES

-  Installation: Clamped connection
-  Operation: Turn knob - spring to close (open right)
-  Inlet / Outlet: Depending on choice of valve body
-  Membrane: PTFE (TFM 1600 - white)

CERTIFICATION*

· Conforms to 3-A · EHEDG CIP · EU 1935/2004

TECHNICAL DATA

Material (product contact)

· Membrane PTFE (TFM 1600 - white)

Material (without product contact)

· Steel parts AISI 303L (1.4305)
· Steel parts AISI 316L (1.4404)
· Knob HDPE (black)

Membrane

· Article PTFE, WHITE (# 860055)
· Certification* FDA · USP · EU 1935/2004

Pressure & Temperature

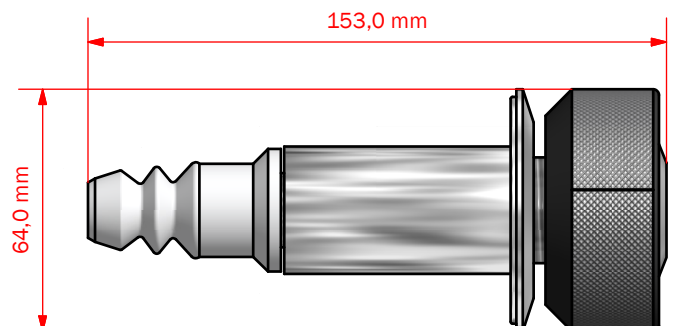
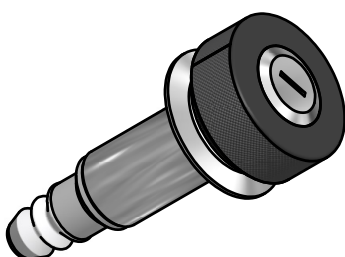
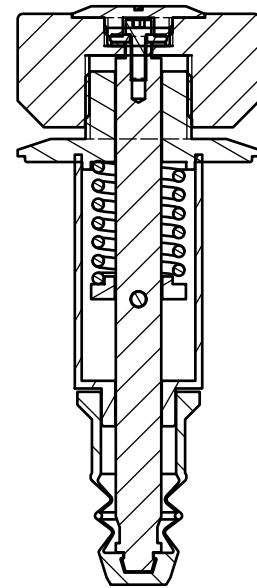
· Pressure 0 - 6 bar (g) / 0 - 87 psi (g)
· Temperature 1 - 150 °C / 34 - 302 ° F
· Air supply -

Net Weight

· Kg/lbs 0,601 kg / 1,33 lbs

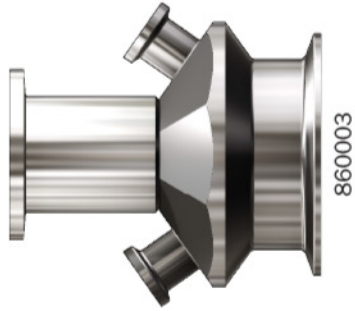
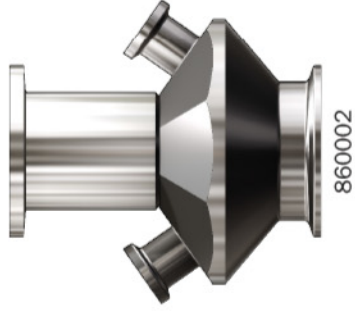
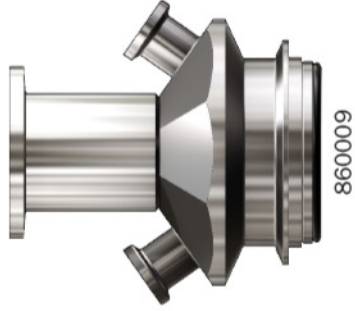
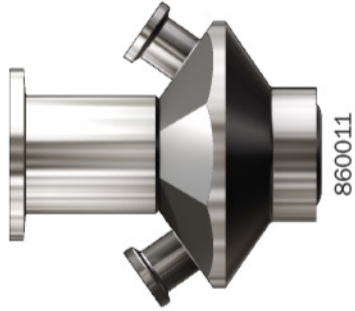
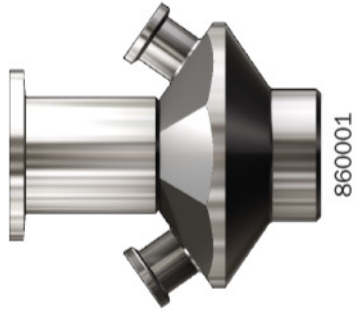
Spareparts

778641 PARTS FOR W15 HEAD 865541



W15 BODIES

		Welding bodies		Connection bodies	
		Tank Welding	Not available	Clamp 3"	Not available
		Pipe Welding	Not available	Clamp 2"	Not available
				Varivent Ø68	Not available



Not available

Not available

Not available

Not available

Not available