



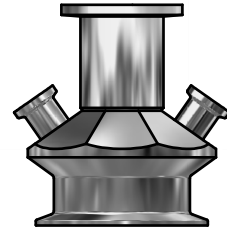


## VALVE BODY W15 TYPE C3"

ART. NO. 860003

### GENERAL

-  The KEOFITT CLASSIC W15 Sampling Valve is designed for high viscosity sampling such as fruit pulp etc. Design based on the original KEOFITT and based on one-piece-construction. Unique serial no. for each valve ("E" = internal electro polish).
-  The sampling valve can be used for any process sampling for microbiological, chemical and/or physical analysis.
-  The valve can be sterilized by means of SIP (EHEDG test) and cleaned by means of CIP (EHEDG certified).
-  Designed for sampling of liquids with a viscosity of up to approx. 50.000 cP containing no particles larger than Ø8 mm. Sampling of more viscous liquids is possible, only will it take longer (depending on process pressure).



### FEATURES

-  Installation: Clamp connection 3"
-  Operation: Depending on choice of valve head
-  Inlet / Outlet: Mini Tri-Clamp
-  Membrane: Depending on choice of valve head

### CERTIFICATION\*

· EHEDG CIP · Conforms to 3-A · 3.1 Material Certificate · EU 1935/2004 · Ra Cert. incl. measurements

### TECHNICAL DATA

#### Material (product contact)

· Steel parts                      AISI 316L (1.4404)

#### Material (without product contact)

· Steel parts                      AISI 316L (1.4404)

#### Surface Treatment

· Outside                              Electropolished Ra <= 1.2 µm  
 · Inside                                Ra <= 0.8 µm  
 · Process connection              Electropolished Ra <= 0.8 µm

#### Pressure & Temperature

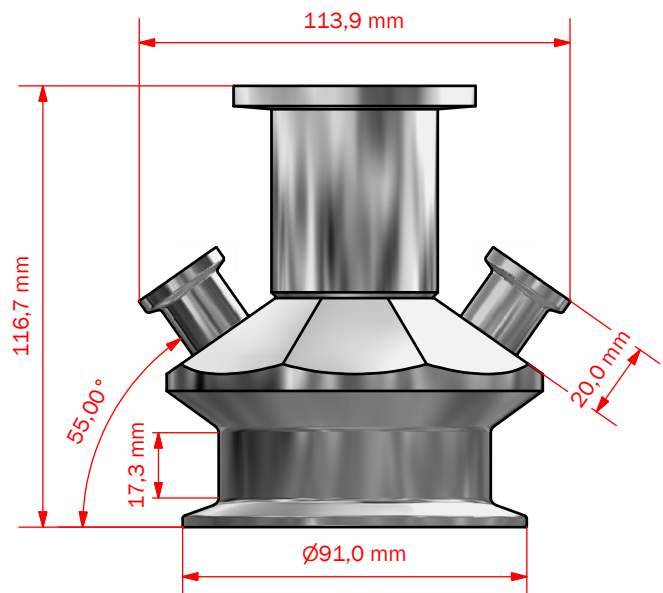
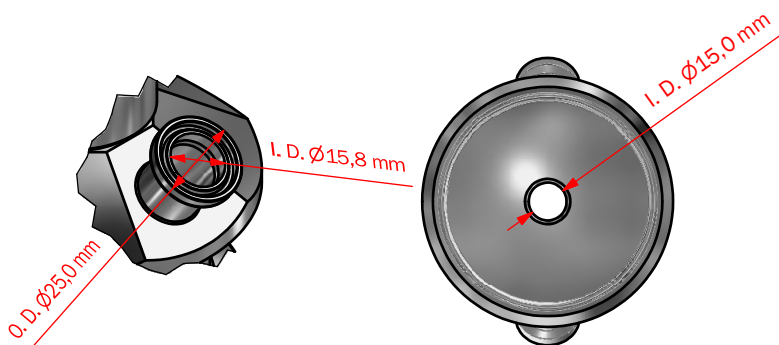
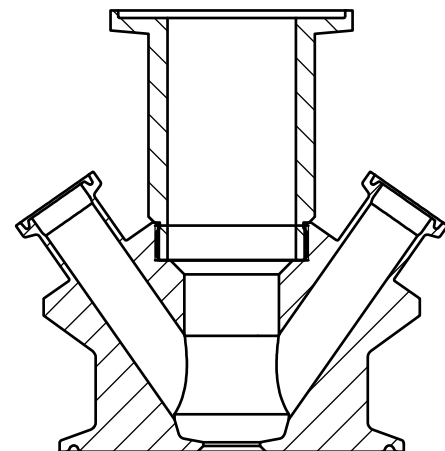
· Pressure                              Depending on choice of valve head  
 · Temperature                        Depending on choice of valve head  
 · Air supply                            Depending on choice of valve head

#### Net Weight

· Kg/lbs                                2,346 kg /5,176 lbs

#### Spareparts

-                                         NOT APPLICABLE



W15 HEADS			
	Silicone	EPDM	PTFE
<b>Type H</b> Turn knob 0-6 bar (g)	Not available	Not available	 865541
<b>Type B</b> No spring 0-12 bar (g)	Not available	Not available	 865547
<b>Type N</b> Pneumatic 0-6 bar (g)	Not available	Not available	 865544