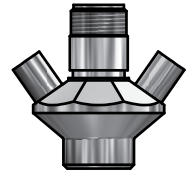


## VALVE BODY W9 TYPE T W/ WL

ART. NO. 850007

### GENERAL

- The KEOFIT CLASSIC W9 Sampling Valve is the original and leading sterilizable sampling valve in the world. Used in all industries for decades. + 320 standard valve configurations. Unique serial no. for each valve ("E" = internal electro polish).
- Valve body designed for sampling of liquids with a viscosity of up to approx. 1.000 cP containing no particles larger than Ø3 mm. Sampling of more viscous liquids is possible, only will it take longer (depending on process pressure).
- Cleaning/sterilizing: Between batches: Valve in open position: Cleanable by means of CIP using the detergent solution suitable for the actual process media (EHEDG certificate available). Between samples: Valve in its normal closed position: cleanable by CIP as "Between batches" or the valve may be sterilized by means of steam SIP (EHEDG test report available) or chemical SIP using a procedure appropriate to the actual circumstances. For further advice, please contact Keofitt.
- The sampling valve can be used for any process sampling for microbiological, chemical and/or physical analysis.



### FEATURES

- Installation: Tank welding
- Operation: Depending on choice of valve head
- Inlet / Outlet: Welding end
- Membrane: Depending on choice of valve head

### CERTIFICATION\*

· EHEDG CIP · Conforms to 3-A · 3.1 Material Certificate · EU 1935/2004 · FDA §177.2600

### TECHNICAL DATA

#### Material (product contact)

· Steel parts                      AISI 316L (1.4435 BNII)

#### Material (without product contact)

· Steel parts                      AISI 316L (1.4404)  
· Steel parts                      AISI 316L (1.4435 BNII)

#### Surface Treatment

· Outside                              Electropolished Ra <= 1.2 µm  
· Inside (wetted surface)        Electropolished Ra <= 0.5 µm  
· Process connection              Electropolished Ra <= 0.5 µm

#### Pressure & Temperature

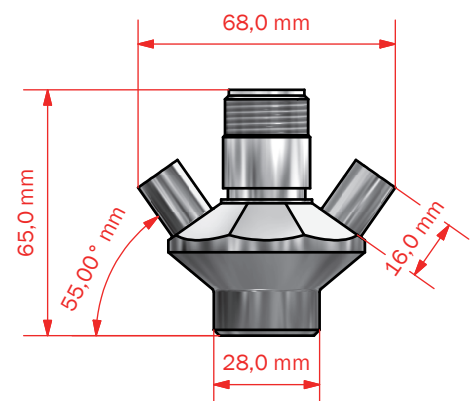
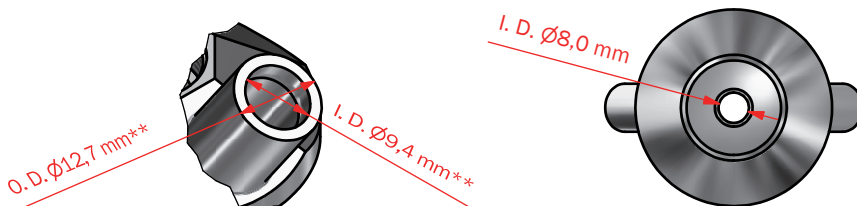
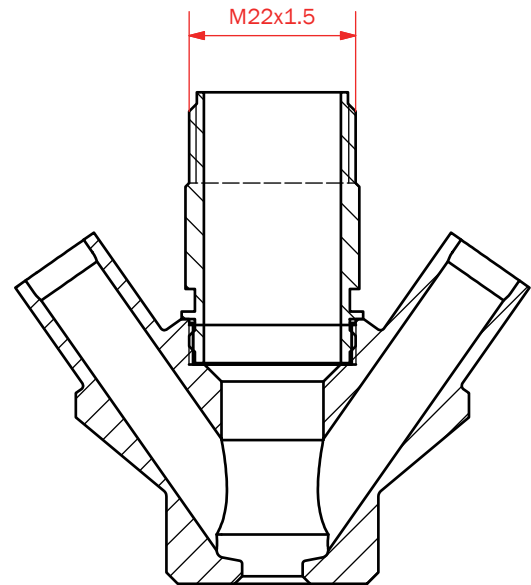
· Pressure                              Depending on choice of valve head  
· Temperature                        Depending on choice of valve head  
· Air supply                            Depending on choice of valve head

#### Net Weight

· Kg/lbs                                0,295 kg /0,65 lbs

#### Spareparts

·    NOT APPLICABLE



\*\*OPTIONAL DIMENSIONS ONLY ON REQUEST:  
Min. I.D. 9,0 mm - max. O.D. 15,0 mm

