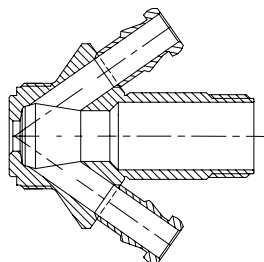
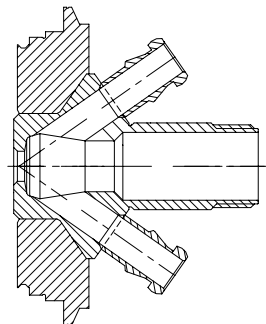


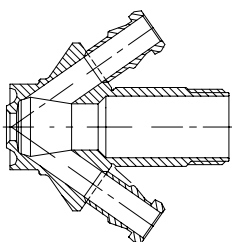
Valve body Type S  
Item no.: 850031



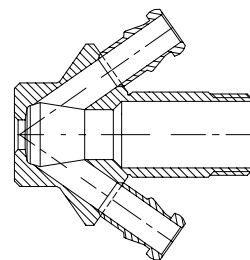
Valve body Type V  
Item no.: 850009



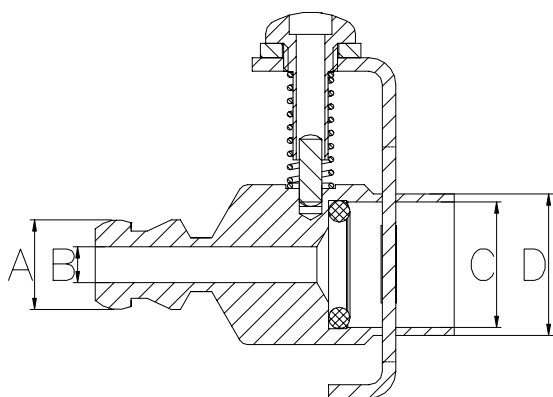
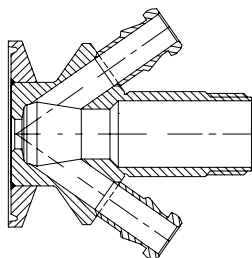
Valve body Type P  
Item no.: 850011



Valve body Type T  
Item no.: 850001



Valve body Type C  
Item no.: 850021



Where to use :

With W9 hose piece

**Material:**

Steel parts:

AISI 316L (1.4404)

O-ring:

Silicone

Connection Male:

M4

Connection female:

W9

**Key measurements**

Drawing part A: Ø10 mm Ø0.39 In.

Drawing part B: Ø4 mm Ø0.16 In.

Drawing part C: Ø14 mm Ø0.55 In.

Drawing part D: Ø15.8 mm Ø0.62 In.

Net weight: 0.045 kg./pc 0.018 lb

Working Pressure depends on choice of valve head.

Working temperature depends on choice of valve head.