

SAMPLING COIL W9

ART. NO. 800058

GENERAL



KEOFITT has the widest selection of spare parts and accessories to complete your sampling system



Used in breweries to reduce foaming



FEATURES



Compatible with all KEOFIT sampling valves with W9, Reflex & Simplex hose piece



Outlet: W9 hose piece

CERTIFICATION

· QC: 3.1 Material Cert. · O-ring: FDA

TECHNICAL DATA

Material (product contact)

- -

Material (without product contact)

· Steel parts AISI 316L (1.4404)
· O-ring Silicone

Pressure & Temperature

· Pressure Working pressure depends on choice of valve head
· Temperature Working temp. depends on choice of valve head

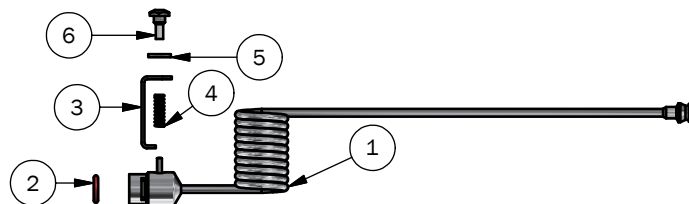
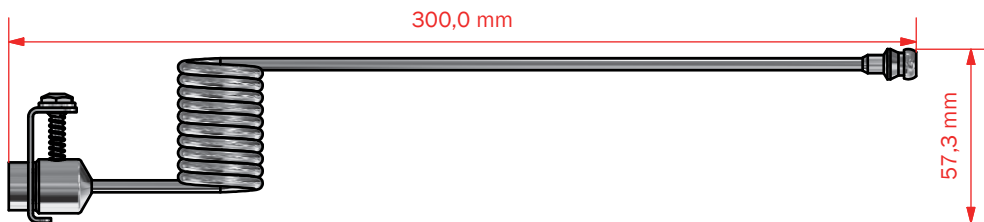
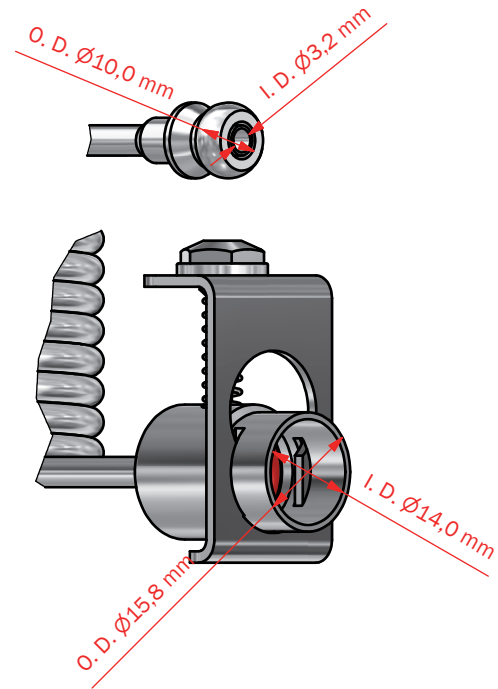
Net Weight

· Kg/lbs 0,135 kg / 0,30 lbs

Spareparts

800830 O-ring

-
-
-



PART LIST

ITEM	QTY	PART NUMBER	TITLE	MATERIAL
1	1	800158	SAMPLING COIL W9	AISI 316L (W1.4404)
2	1	800830	10 PACK O-RING 10,3 x 2,4 SILICONE FDA	Silicone (red)
3	1	800181	STEEL ANGLE FOR SNAP CLUTCH	AISI 316L (W1.4404)
4	1	800480	SPRING FOR QC W9	AISI 316L (W1.4404)
5	1	400831	WASHER FOR QUICK COUPLING M4/W9	AISI 316L (W1.4404)
6	1	800180	SCREW FOR W9 SNAP CLUTCH	AISI 316L (W1.4404)