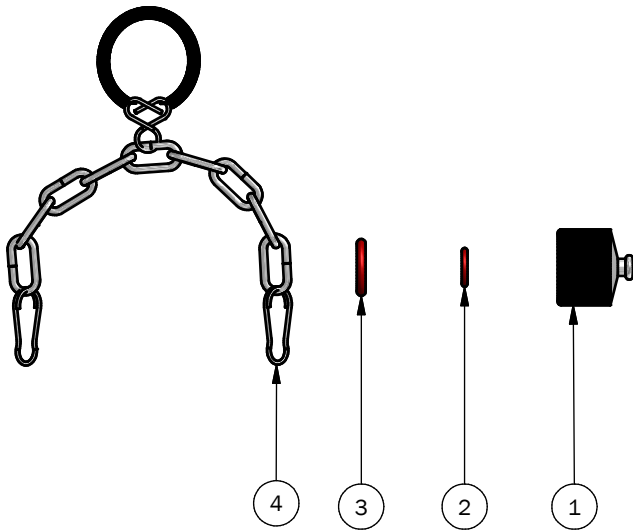


PARTS FOR W9 BODY 850015/16/18/24

ART. NO. 778515

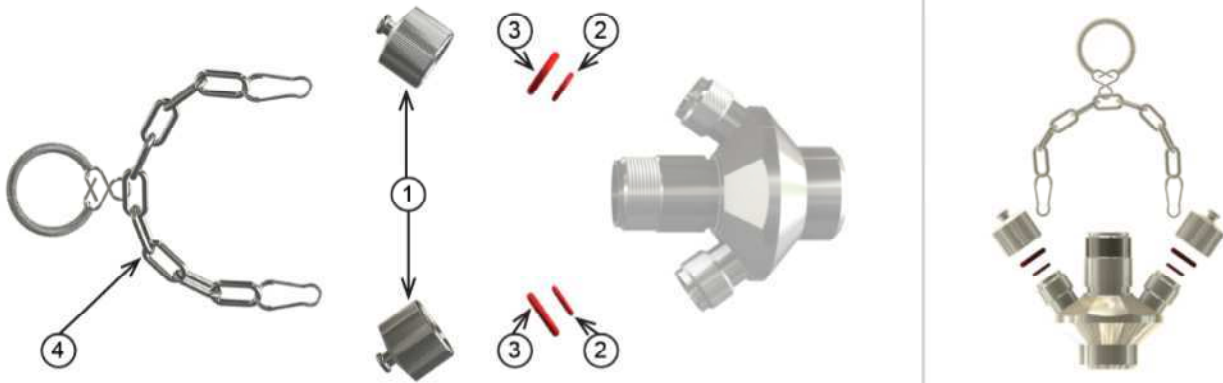


PART LIST

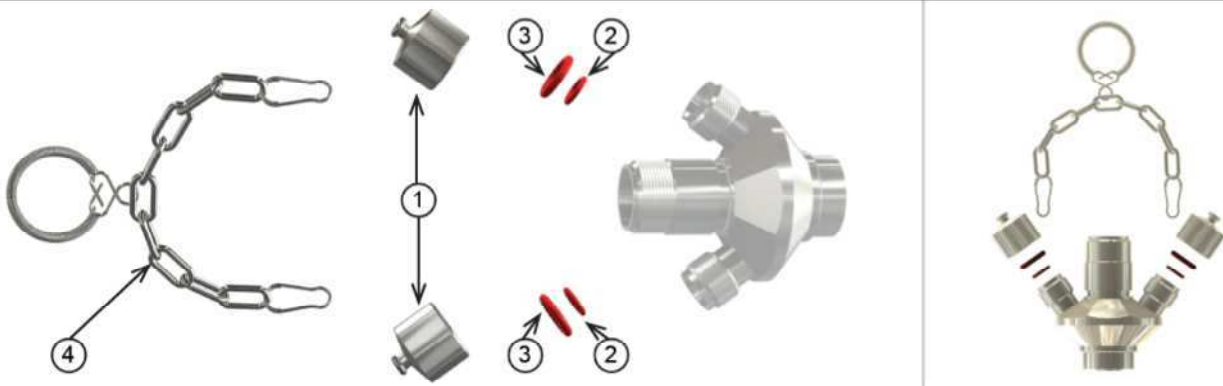
ITEM	QTY	PART NUMBER	TITLE	MATERIAL
1	1	700061	CAP W9 M16x1,5	AISI 316L (W1.4404)
2	1	600825	10 PACK O-RING 7,1 x 1,6 SILICONE FDA	Silicone (red)
3	1	800830	10 PACK O-RING 10,3 x 2,4 SILICONE FDA	Silicone (red)
4	1	600064	DOUBLE ST.ST. CHAIN W9	

SPARE PART KIT 778515 FOR:

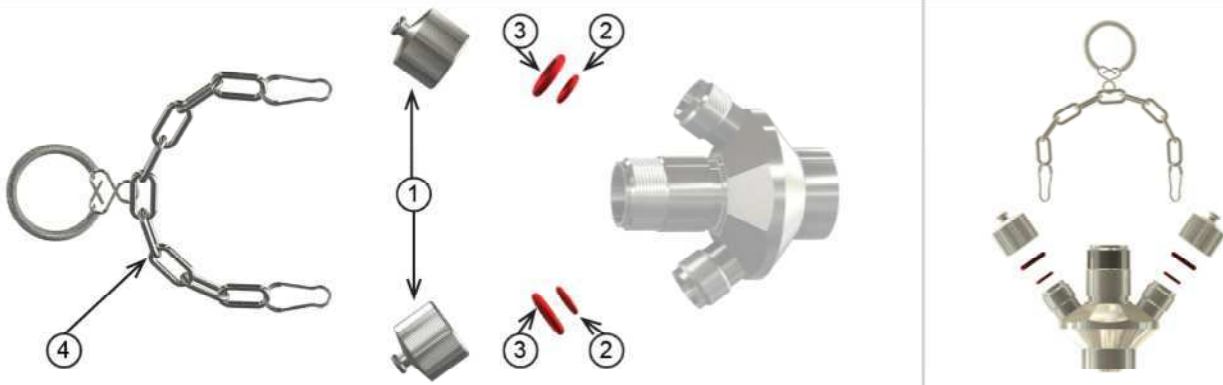
850015 VALVE BODY W9 TYPE T W/M16X1,5



850016 VALVE BODY W9 TYPE P W/M16X1,5



850018 VALVE BODY W9 PNW25 W/M16X1,5



850024 VALVE BODY W9 TYPE C1" W/16x1,5

