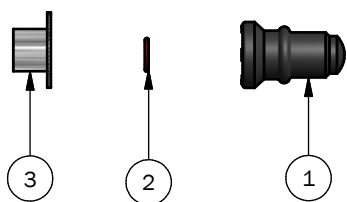


**PARTS FOR SIMPLEX 01/11/21/22**

**ART. NO. 778301EPDM**

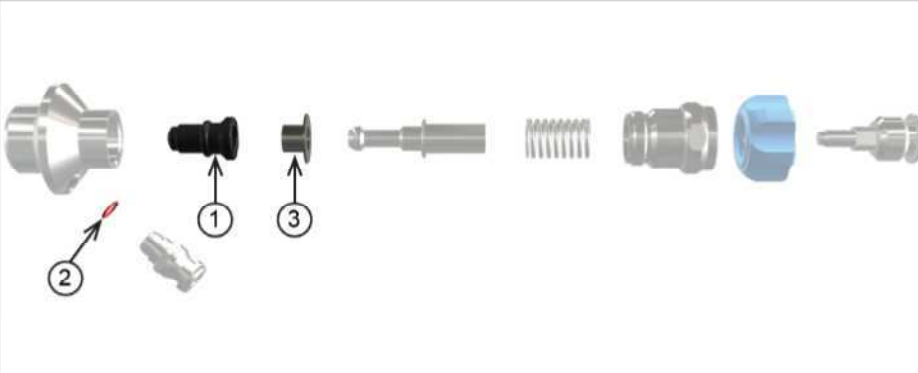


**PART LIST**

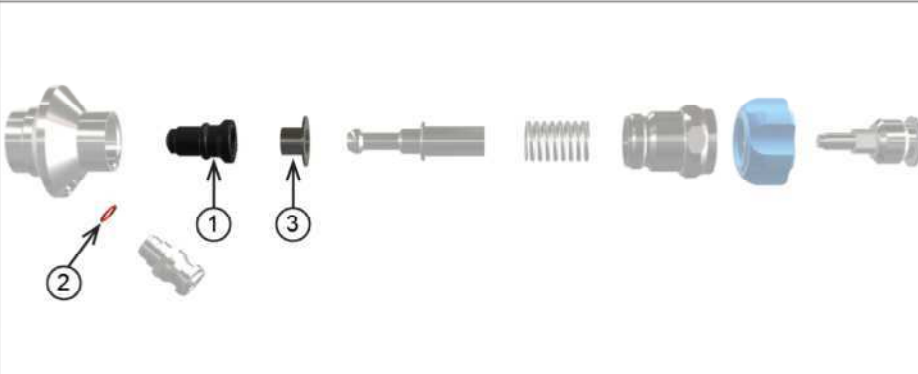
ITEM	QTY	PART NUMBER	TITLE	MATERIAL
1	1	600052	10 PACK MEMBRANE W9 EPDM, BLACK	EPDM (black)
2	1	830825	10 PACK O-RING 7,00x1,00 SILICONE (FDA)	Silicone (red)
3	1	830149	BUSHING FOR SIMPLEX	AISI 303 / 1.4305

**SPARE PART KIT 778301EPDM FOR:**

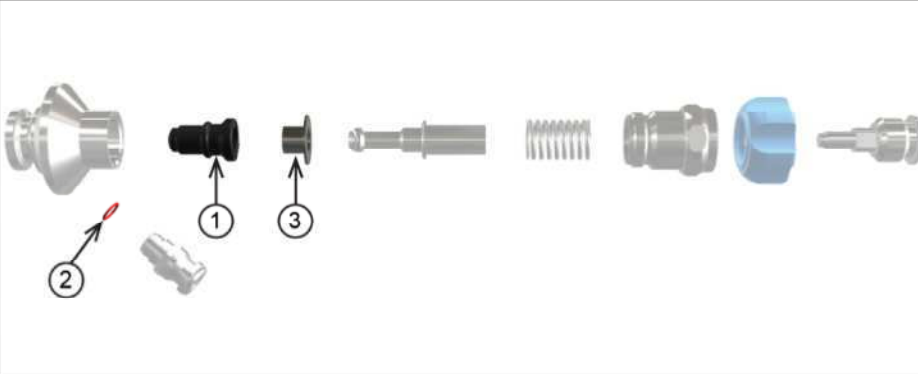
830141EPDM SIMPLEX VALVE TYPE T/H, EPDM



831141EPDM SIMPLEX VALVE TYPE P/H, EPDM



832141EPDM SIMPLEX VALVE TYPE C 1/2"/H, EPDM



832241EPDM SIMPLEX VALVE TYPE C1"/H, EPDM

