

PTFE TUBING W/QUICK COUPLING/TC 0,5 M

ART. NO. 550002.2

GENERAL



KEOFITT has the widest selection of spare parts and accessories to complete your sampling system



Tube is available in all lengths on request.

FEATURES



To be used with M4/W9 hose pieces & mini tri clamp

CERTIFICATION

· QC: 3.1 Material Cert. · O-ring: FDA

TECHNICAL DATA

Materials

- Steel parts AISI 316L (1.4404)
- O-ring Silicone (FDA · EU 1935/2004)
- Tube PTFE (TFM 1600 - white)
- Spring AISI 316L (1.4404)

Surface

- Outside Electropolished
- Inside Ra <= 0.5 µm (Quick Coupling only)

Pressure & Temperature

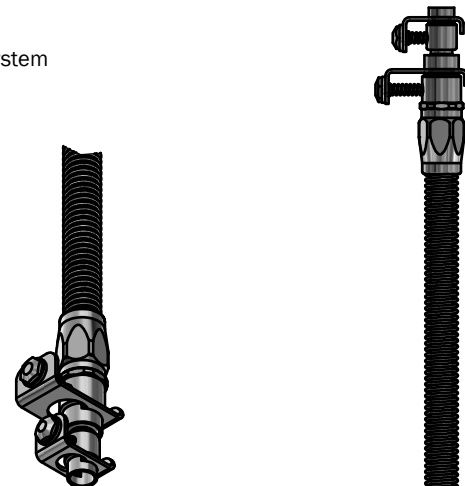
- Pressure -
- Temperature -

Net Weight

- Kg/lbs 0,354 kg / 0,77 lbs

Spareparts

- 400830 O-ring
-
-
-
-



Quick Release for M4/W9



Mini Tri Clamp connection

