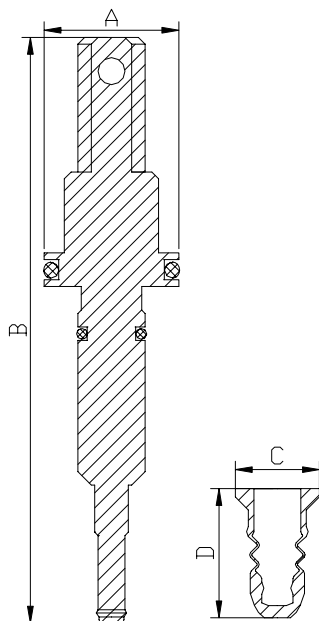
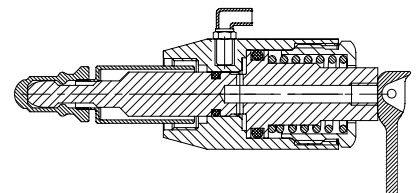




Valve head Type N
Item no.: 400044



Where to use : With Valves bodies M4 - Type N
How to use: See instructions
Instructions: MN-000000 replacing silicone for PTFE Membrane

Material:
Steel Part: AISI 316L(1.4404)
Membrane: FDA approved PTFE

Key measurements

Drawing part A:	20 mm.	0.79 In.
Drawing part B:	87 mm.	3.43 In.
Drawing part C:	12.5 mm.	0.51 In.
Drawing part D:	19 mm.	0.75 In.
Net weight:	0.05 kg./pc	0.04lb.
Temp. range:	1 ^o C - 150 ^o C	34°F - 302°F
Product pressure range:	0 - 6 bar(g)	0 - 87 psi(g)