

QUICK COUPLING M4 F/I.D. 4 MM

ART. NO. 400084

GENERAL

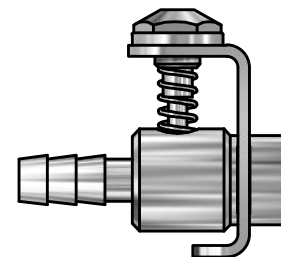
KEOFITT has the widest selection of spare parts and accessories to complete your sampling system

Fitting for ID 4 tubing

FEATURES

Connection: M4 hose piece

Outlet: Fitting for ID 4 tubing



CERTIFICATION

· QC: 3.1 Material Cert. · O-ring: FDA

TECHNICAL DATA

Materials

· Steel parts AISI 316L (1.4404)
· O-ring Silicone

Surface

· Outside Electropolished
· Inside Ra <= 0.5 µm (Quick Coupling only)

Pressure & Temperature

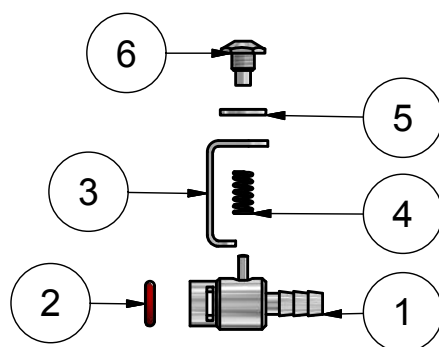
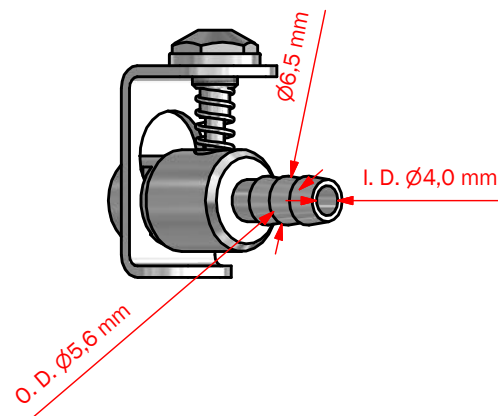
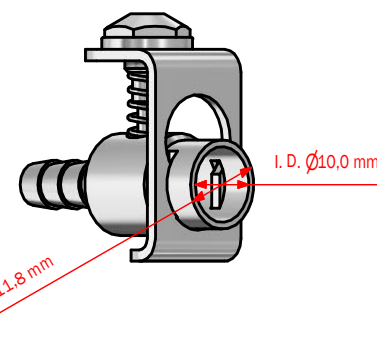
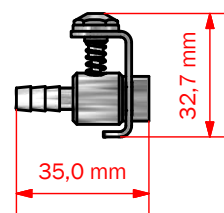
· Pressure -
· Temperature -

Net Weight

· Kg/lbs N/A / 0,05 lbs

Spareparts

400830 O-ring



PART LIST

ITEM	QTY	PART NUMBER	TITLE	MATERIAL
1	1	400184	QUICK COUPLING Ø4	AISI 316L (W1.4404)
2	1	400830	10 PACK O-RING 5,3 x 2,4 SILICONE FDA	Silicone (red)
3	1	400181	CLIP FOR QUICK COUPLING	AISI 316L (W1.4404)
4	1	400480	SPRING FOR QUICK COUPLING M4	AISI 316L (W1.4404)
5	1	400831	WASHER FOR QUICK COUPLING M4/W9	AISI 316L (W1.4404)
6	1	400188	SCREW FOR QUICK COUPLING M4	AISI 316L (W1.4404)