

SAMPLING COIL M4

ART. NO. 400058

GENERAL



KEOFITT has the widest selection of spare parts and accessories to complete your sampling system



Used in breweries to reduce foaming



FEATURES



Compatible with all KEOFIT sampling valves with M4 hose piece



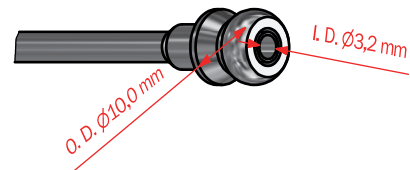
Outlet: M4 hose piece

CERTIFICATION

TECHNICAL DATA

Material (product contact)

-

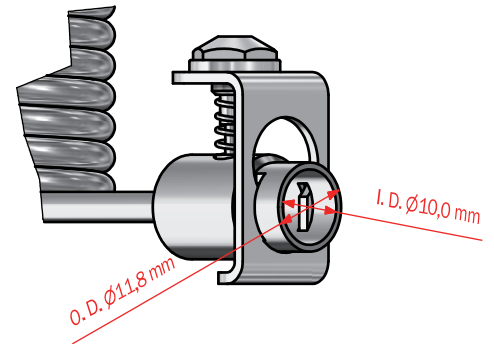


Material (without product contact)

- Steel parts AISI 316L (1.4404)
- O-ring Silicone

Pressure & Temperature

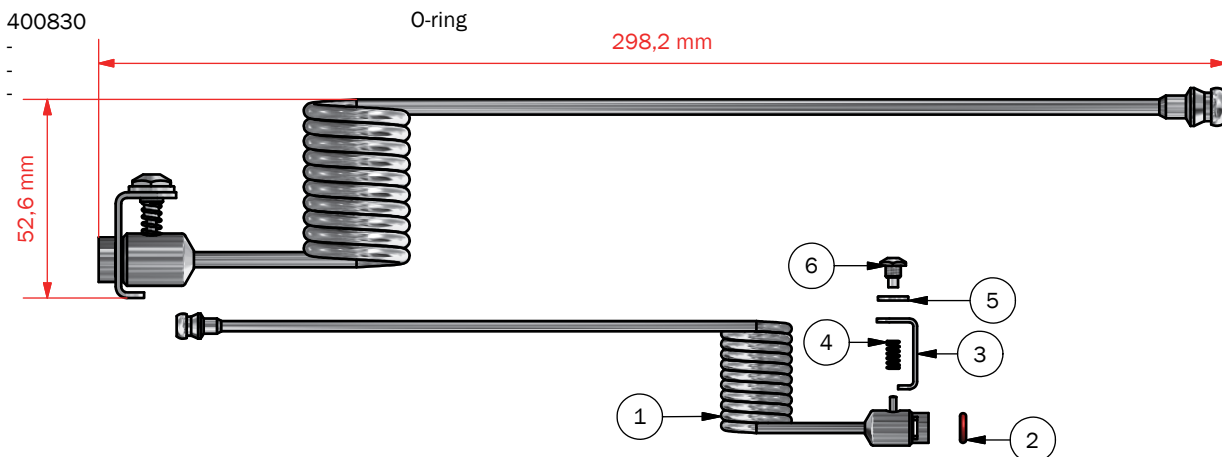
- Pressure Working pressure depends on choice of valve head
- Temperature Working temp. depends on choice of valve head



Net Weight

- Kg/lbs 0,120 kg / 0,26 lbs

Spareparts



Parts List

ITEM	QTY	PART NUMBE	TITLE	MATERIAL
1	1	400158	SAMPLING COIL W/ ST.ST. CAP M4	AISI 316L (W1.4404)
2	1	400830	10 PACK O-RING 5,3 x 2,4 SILICONE FDA	Silicone (red)
3	1	400181	CLIP FOR QUICK COUPLING	AISI 316L (W1.4404)
4	1	400480	SPRING FOR QUICK COUPLING M4	AISI 316L (W1.4404)
5	1	400831	WASHER FOR QUICK COUPLING M4/W9	AISI 316L (W1.4404)
6	1	400188	SCREW FOR QUICK COUPLING M4	AISI 316L (W1.4404)