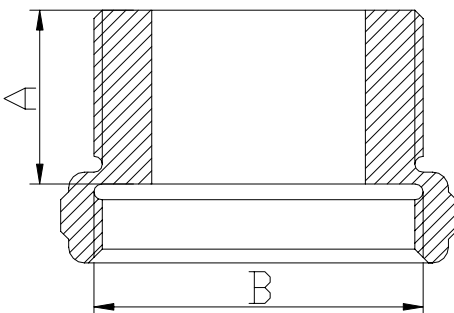
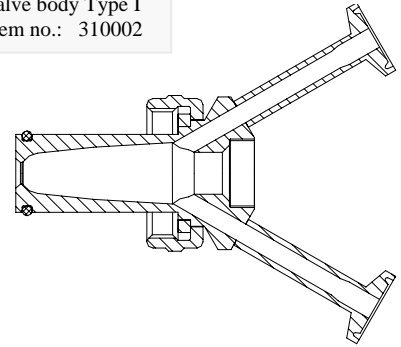


Data sheet: 320530
Item no. 320530
Adaptor for 30 mm port length

Valve body Type I
Item no.: 310002



Where to use : "I" valve bodies
Material: AISI 316L (1.4404)
"I" valves to fit DN25 30mm Ports.
Key measurements
Drawing part A: 22 mm. 0.87 In.
Drawing part B: R1 ¼"
Net weight: 0.165 kg./pc 0.36lb
Available in other lengths on request.