



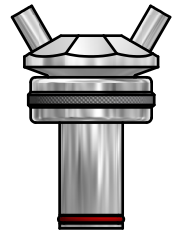


## VALVE BODY TYPE I52 WL/WL

ART. NO. 320007

### GENERAL

-  The KEOFITT CLASSIC "INGOLD" Sampling Valve owes its hygienic design and one-piece construction to the original KEOFITT valve. For 52 MM Ingold ports. Unique serial number engraved in each valve ("E" = internal electro polish).
-  Designed for sampling of liquids with a viscosity of up to approx. 1.000 cP containing no particles larger than Ø2 mm. Sampling of more viscous liquids is possible, only will it take longer (depending on process pressure).
-  Cleaning/sterilizing: Between batches: Valve in open position: Cleanable by means of CIP using the detergent solution suitable for the actual process media (EHEDG certificate available). Between samples: Valve in its normal closed position: cleanable by CIP as "Between batches" or the valve may be sterilized by means of steam SIP (EHEDG test report available) or chemical SIP using a procedure appropriate to the actual circumstances. For further advice, please contact Keofitt.
-  The sampling valve can be used for any process sampling for microbiological, chemical and/or physical analysis.



### FEATURES

-  Installation: 52 mm Ingold port
-  Operation: Depending on choice of valve head
-  Inlet / Outlet: Welding end
-  Membrane: Depending on choice of valve head

### CERTIFICATION\*

· EHEDG CIP · 3.1 Material Certificate · EU 1935/2004 · Ra Cert. incl. measurements

### TECHNICAL DATA

#### Material (product contact)

- Steel parts                      AISI 316L (1.4435 BNII)
- O-ring                             Silicone (FDA · EU 1935/2004)

#### Material (without product contact)

- Steel parts                      AISI 316L (1.4435 BNII)

#### Surface Treatment

- Outside                            Electropolished Ra <= 1.2 µm
- Inside (wetted surface)        Ra <= 0.2 µm
- Process connection            Electropolished Ra <= 0.2 µm

#### Pressure & Temperature

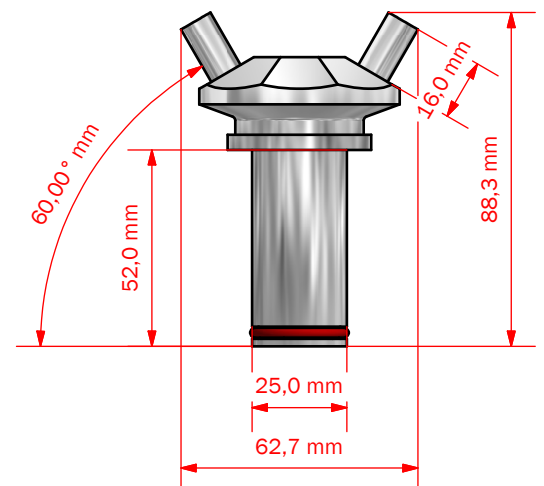
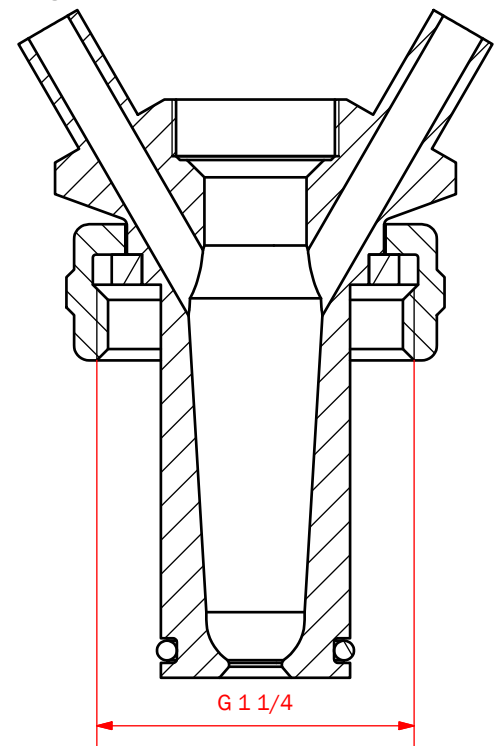
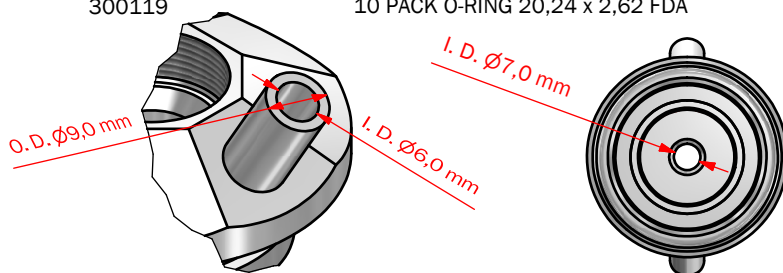
- Pressure                            Depending on choice of valve head
- Temperature                      Depending on choice of valve head
- Air supply                         -

#### Net Weight

- Kg/lbs                             0.447 kg /0,99 lbs

#### Spareparts

- 300119                             10 PACK O-RING 20,24 x 2,62 FDA



For 40 mm Ingold port			For 52 mm Ingold port					
Type H	Type Q	Type N	Type H	Type Q	Type N			
Turn knob 0-6 bar(g)	Lever handle 0-6 bar(g)	Lever handle Pneumatic 0-6 bar(g)	Turn knob 0-6 bar(g)	Lever handle 0-6 bar(g)	Lever handle Pneumatic 0-6 bar(g)			
 <p>310041</p>	 <p>310043</p>	 <p>310044</p>	 <p>320041</p>	 <p>320043</p>	 <p>320044</p>			
 <p>310041E</p>	 <p>310043E</p>	 <p>310044E</p>	 <p>320041E</p>	 <p>320043E</p>	 <p>320044E</p>			
 <p>315541</p>	 <p>315543</p>	 <p>315544</p>	 <p>325541</p>	 <p>325543</p>	 <p>325544</p>			
Silicone			EPDM			PTFE		