






## VALVE HEAD I40 TYPE H (OPEN LEFT), EPDM

ART. NO. 310041E

### GENERAL

-  The KEOFIT CLASSIC "INGOLD" Sampling Valve owes its hygienic design and one-piece construction to the original KEOFIT valve. For 40 MM Ingold ports.
-  The product to be sampled should have a maximum viscosity of 0-1.000 cP and should not contain particles larger than 2 mm diameter
-  The valve can be cleaned by means of SIP and/or CIP through the open valve seat
-  The sampling valve can be used for any process sampling for microbiological, chemical and/or physical analysis

### FEATURES

-  Installation: Ingold port
-  Operation: Turn knob (open left)
-  Inlet / Outlet: Depending on choice of valve body
-  Membrane: EPDM (PTFE & Silicone available)

### CERTIFICATION

· Conform to 3-A · EHEDG CIP · 3.1 Material Certificate · EU 1935/2004

### TECHNICAL DATA

#### Material (product contact)

· Membrane EPDM

#### Material (without product contact)

· Steel parts AISI 303L (1.4305)  
 · Steel parts AISI 316 (1.4401)  
 · Steel parts AISI 316L (1.4404)  
 · Knob HDPE (black)

#### Surface Treatment

· Outer Surface Electropolished

#### Pressure & Temperature

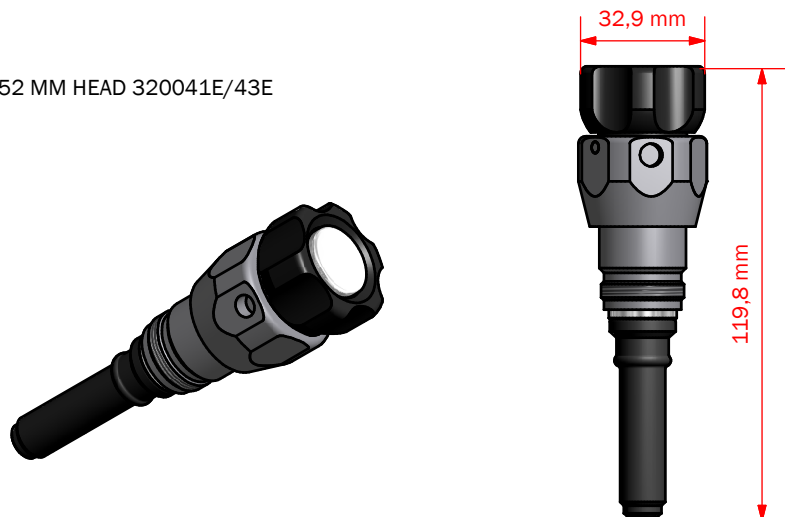
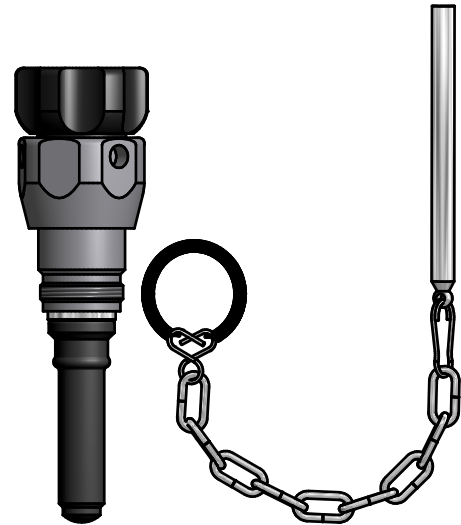
· Pressure 0 - 6 bar (g) / 0 - 87 psi (g)  
 · Temperature 1 - 130° C / 34 - 266° F





#### Net Weight

· Kg/lbs 0,297 kg / 0,65 lbs

#### Spareparts

773241EPDM SPARE PARTS FOR I 52 MM HEAD 320041E/43E



	Hose Piece	Mini Tri-Clamp	Welding liner
Standard for 40 mm port length	Not available	 <p>310002</p>	On request
	Not available	 <p>310005</p>	On request
Standard for 52 mm port length	Not available	 <p>320002</p>	On request
	Not available	 <p>320005</p>	On request