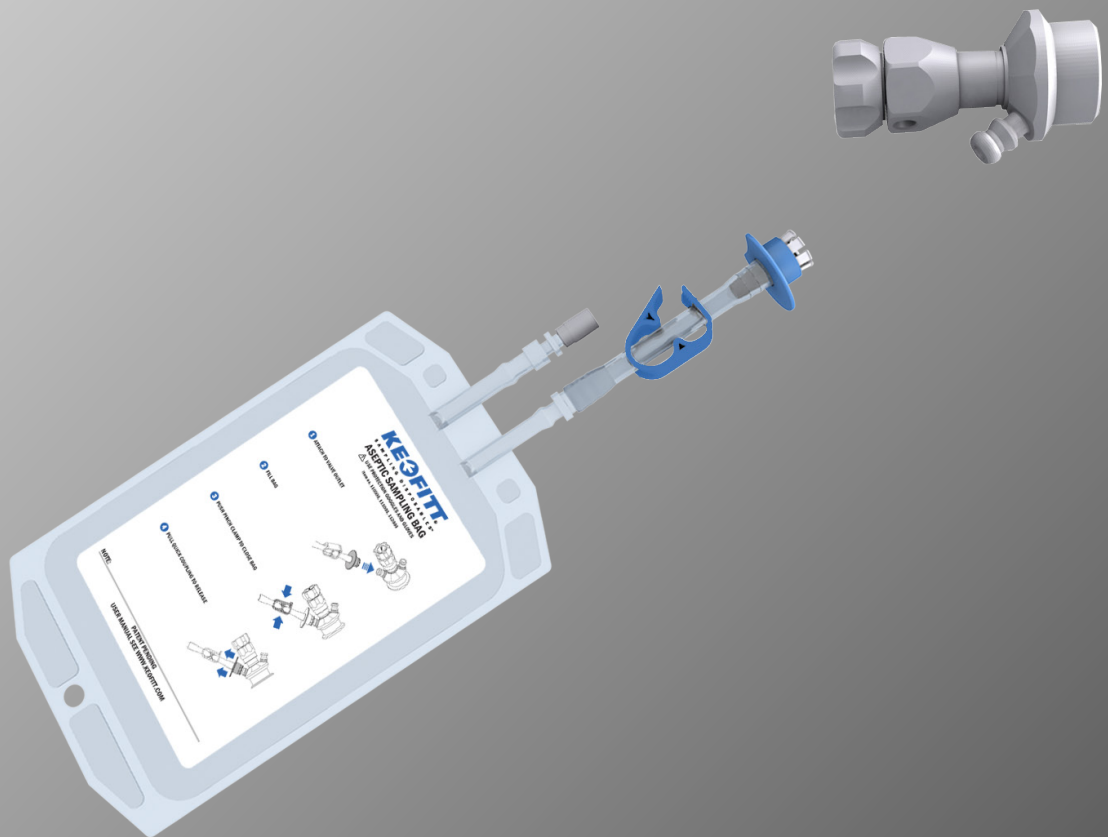


KEOFITT STERILE SAMPLING BAG (PAT. PEND.) | Item no. 110500, 111000 & 112000

USER MANUAL



INTRODUCTION:

MANUFACTURER: Keofitt Sampling Bags ApS
Industrivænget 6-8
5700 Svendborg
Denmark

TYPE: Keofitt Sterile Sampling Bag,
item no. 110500, 111000 &
112000

YEAR OF INTRODUCTION: 2010

YEAR OF REVISED DESIGN: -

Manufacturer retains the right to change technical specifications and the contents of this User manual without prior notice.

The English version of this Manual is the governing version and it is the only authorized version. Consequently, KEOFITT cannot be held liable for other versions including translations of this Manual.

CONTENTS

Presentation	7
Sampling Bag Function	7
Part drawing Keofitt Sterile Sampling Bag - Item 110500, 111000, 112000	8
How to Operate:.....	9

PRESENTATION

The Keofitt Sterile Sampling Bag is a single use product. The Keofitt Sterile Sampling Bag is a sterile, pre-irradiated product supplied in a sealed PE-bag. The product is to be removed from its sterile bag immediately before use.

The sterile condition enables the user to extract a representative sample from a liquid process line sampling point in a convenient way.

The Keofitt Sterile Sampling Bag protects the sample against airborne contamination, while extracting the sample as well as during storage .

Using standard adaptors the Keofitt Sterile Sampling Bag becomes compatible with all small and medium sized Keofitt sampling valves.

The Keofitt Sterile Sampling Bag is used in a wide range of industries, such as breweries, dairies and the pharmaceutical and biotechnological industries.

SAMPLING BAG FUNCTION

The Keofitt Sterile Sampling Bag is designed for extracting one single product sample. The design as a single use Sampling Bag greatly reduces the risk of sample contamination occurring due to insufficient sterilization of the sample container.

The Keofitt Sterile Sampling Bag requires no further sterilizing before sampling.

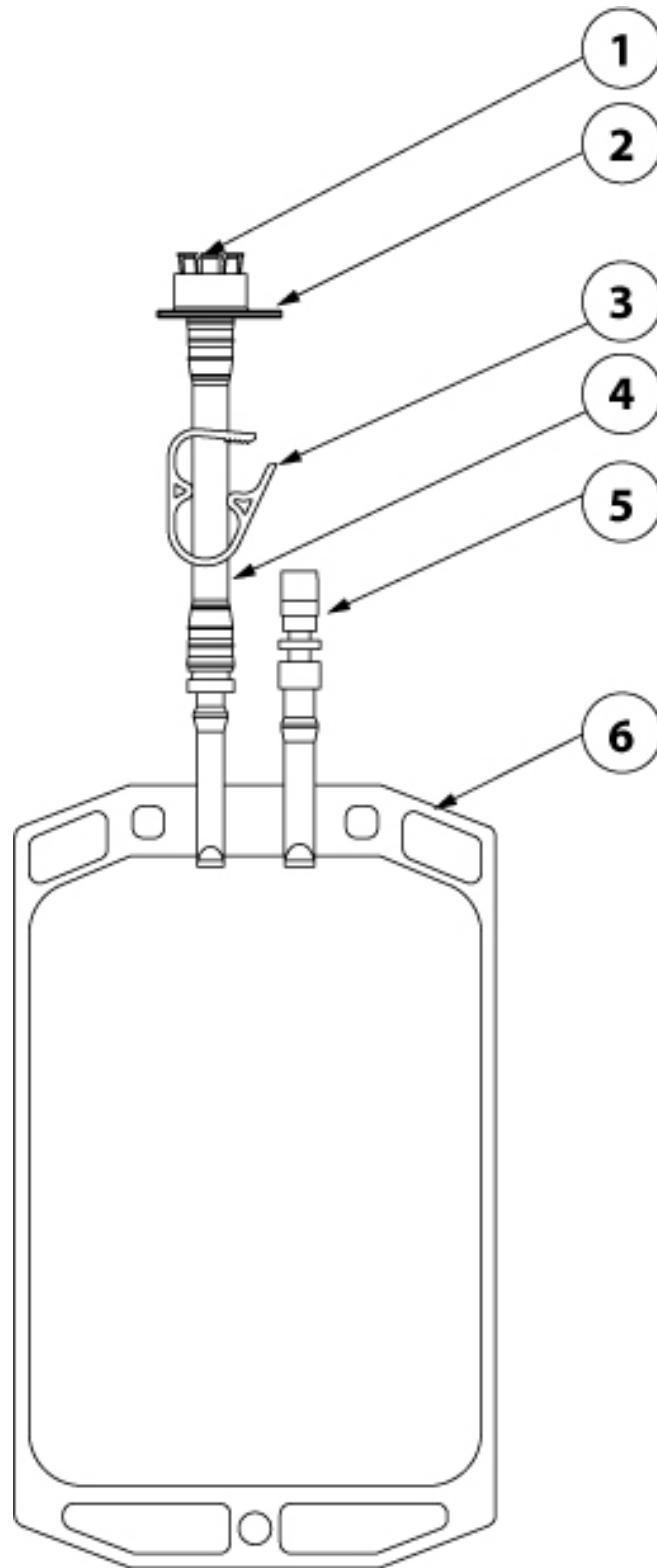
The Keofitt Sterile Sampling Bag is available in 3 different sizes – 500 ml, 1000 ml and 2000 ml. It is important to choose the adequate Sampling Bag size in order not to overfill the bag.



WARNING!

- An overfilled or over-pressurized Sampling Bag may result in material burst. Pay attention to sampling process at all times.

PART DRAWING KEOFITT STERILE SAMPLING BAG - ITEM 110500, 111000, 112000

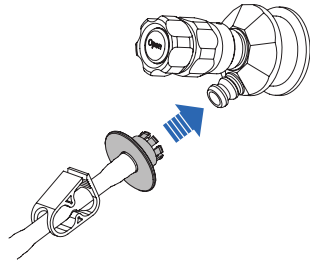


Pos.	Part Name	Material	Pos.	Part Name	Material
1	Tube fitting	PC	4	Tube	Silicone
2	Quick coupling ring	PP	5	Luer Lock	ABS / TPE
3	Pinch Clamp	PP	6	Sampling Bag	PE / PA

HOW TO OPERATE:

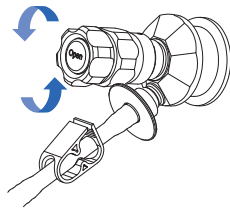
Remove the Keofitt Sterile Sampling Bag from the sealed pouch

1 ATTACH TO VALVE OUTLET



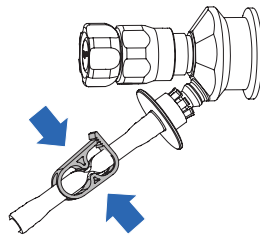
Make sure the sampling valve is pre-sterilised and in its closed position. Attach the Keofitt Sterile Sampling Bag tube fitting to the sampling valve outlet sliding the blue quick coupling ring towards the valve to lock.

2 FILL BAG



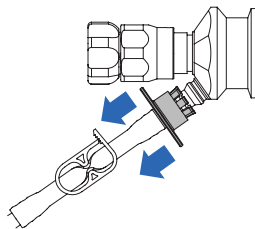
Open the sampling valve slowly to sample. Extract sample and close the sampling valve.

3 PUSH PINCH CLAMP TO CLOSE BAG



Engage the pinch clamp to seal the Keofitt Sterile Sampling Bag.

4 PULL QUICK COUPLING TO RELEASE



Pull back the blue quick coupling ring and remove the Keofitt Sterile Sampling Bag.

To extract test samples from the Keofitt Sterile Sampling Bag, either penetrate the Luer lock Septum by a needle, connect a syringe to the male or female adaptor, or simply dismount the Luer lock to pour.

For complete set of updated data sheets and manuals for Keofitt products please refer to our web page
www.keofitt.dk

