



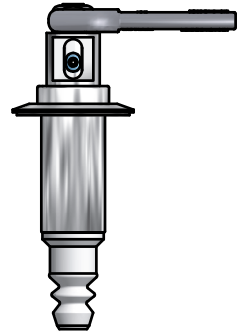


## VALVE HEAD W15 TYPE N, PTFE

ART. NO. 865544

### GENERAL

-  The KEOFITT CLASSIC W15 Sampling Valve is designed for high viscosity sampling such as fruit pulp etc. Design based on the original KEOFITT and based on one-piece-construction.
-  The sampling valve can be used for any process sampling for microbiological, chemical and/or physical analysis.
-  The valve can be sterilized by means of SIP (EHEDG test) and cleaned by means of CIP (EHEDG certified). Not recommended for autoclave due to plastic parts.
-  The product to be sampled should have a maximum viscosity of 0-50.000 cP and should not contain particles larger than 8 mm diameter.



### FEATURES

-  Installation: Clamped connection
-  Operation: Pneumatically operated/lever handle
-  Inlet / Outlet: Depending on choice of valve body
-  Membrane: PTFE (TFM 1600 - white)

### CERTIFICATION\*

· Conforms to 3-A · EHEDG CIP · EU 1935/2004

### TECHNICAL DATA

#### Material (product contact)

· Membrane PTFE (TFM 1600 - white)

#### Material (without product contact)

· Steel parts AISI 303L (1.4305)  
· Steel parts AISI 316L (1.4404)

#### Membrane

· Article PTFE, WHITE (# 860055)  
· Certification\* FDA · USP · EU 1935/2004

#### Pressure & Temperature

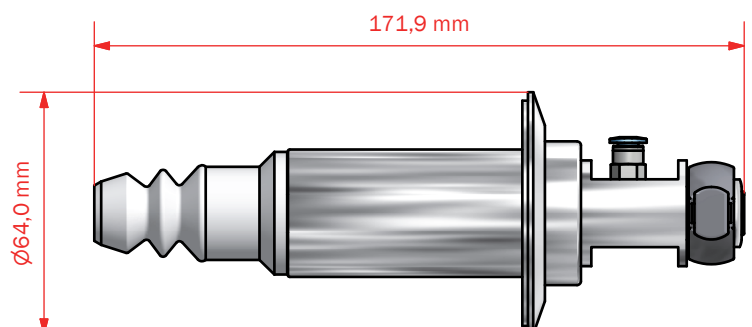
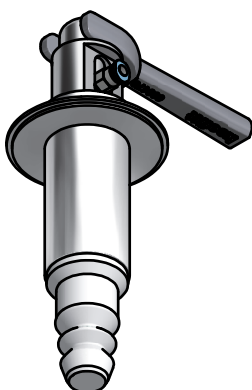
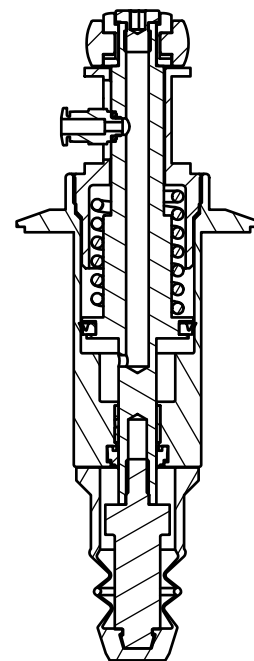
· Pressure 0 - 6 bar (g) / 0 - 87 psi (g)  
· Temperature 1 - 150°C / 34 - 302° F  
· Air supply 4 - 7 bar (g) / 58 - 101 psi (g)

#### Net Weight

· Kg/lbs 0,804 kg / 1,77 lbs

#### Spareparts

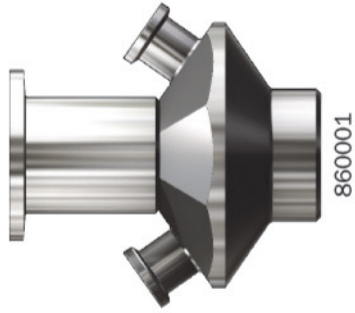
778644 PARTS FOR W15 HEAD 865544



**W15 BODIES**

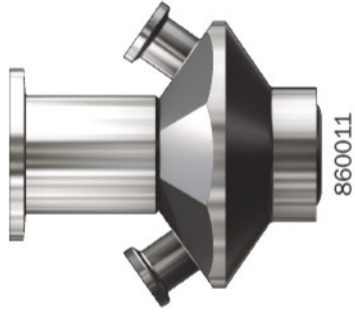
		<b>Welding bodies</b>		<b>Connection bodies</b>	
		Tank Welding	Not available	Clamp 3"	Not available
		Pipe Welding	Not available	Clamp 2"	Not available
				Varivent Ø68	Not available

Not available



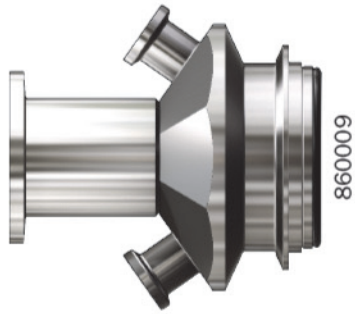
Not available

Not available



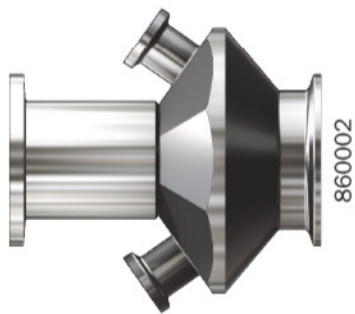
Not available

Not available



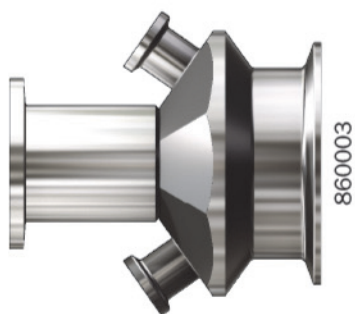
Not available

Not available



Not available

Not available



Not available