



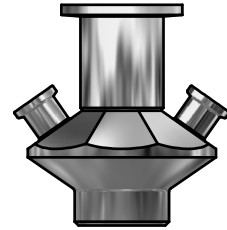


VALVE BODY W 15 TYPE T

ART. NO. 860001

GENERAL

-  The KEOFITT CLASSIC W15 Sampling Valve is designed for high viscosity sampling such as fruit pulp etc. Design based on the original KEOFITT and based on one-piece-construction. Unique serial no. for each valve ("E" = internal electro polish).
-  The sampling valve can be used for any process sampling for microbiological, chemical and/or physical analysis.
-  The valve can be sterilized by means of SIP (EHEDG test) and cleaned by means of CIP (EHEDG certified).
-  Designed for sampling of liquids with a viscosity of up to approx. 50.000 cP containing no particles larger than Ø8 mm. Sampling of more viscous liquids is possible, only will it take longer (depending on process pressure).



FEATURES

-  Installation: Tank welding
-  Operation: Depending on choice of valve head
-  Inlet / Outlet: Mini Tri-Clamp
-  Membrane: Depending on choice of valve head

CERTIFICATION*

· EHEDG CIP · Conforms to 3-A · 3.1 Material Certificate · EU 1935/2004 · Ra Cert. incl. measurements

TECHNICAL DATA

Material (product contact)

· Steel parts AISI 316L (1.4404)

Material (without product contact)

· Steel parts AISI 316L (1.4404)

Surface Treatment

· Outside Electropolished Ra <= 1.2 µm
· Inside Ra <= 0.8 µm
· Process connection Electropolished Ra <= 0.8 µm

Pressure & Temperature

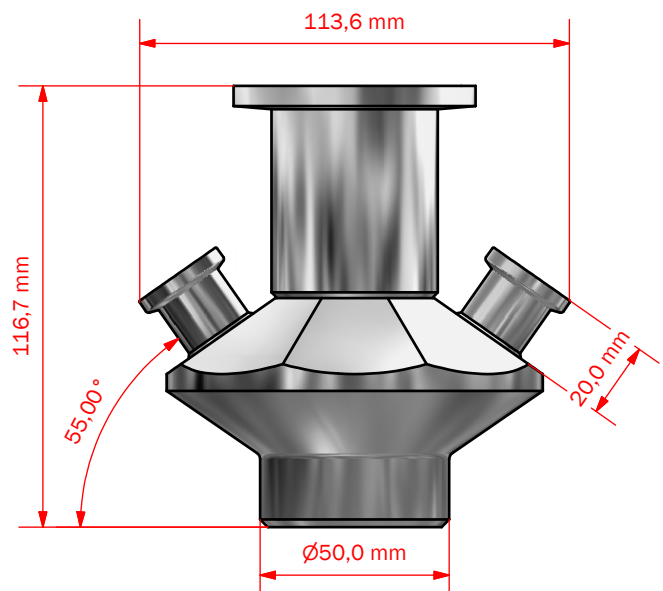
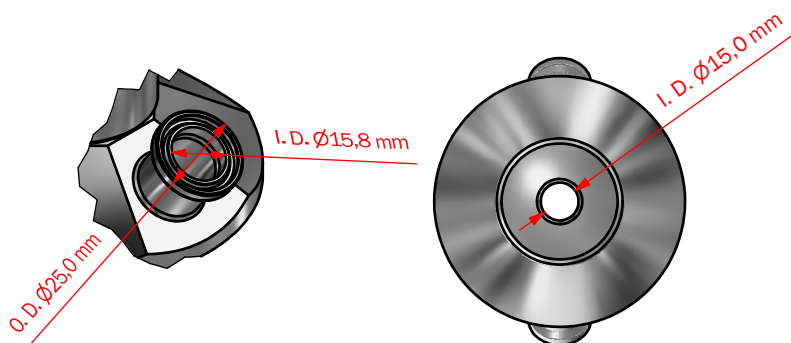
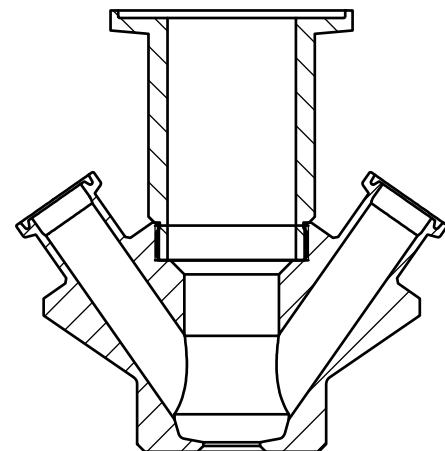
· Pressure Depending on choice of valve head
· Temperature Depending on choice of valve head
· Air supply Depending on choice of valve head

Net Weight

· Kg/lbs 1,870 kg /4,122 lbs

Spareparts

- NOT APPLICABLE



W15 HEADS			
	Silicone	EPDM	PTFE
Type H Turn knob 0-6 bar (g)	Not available	Not available	 865541
Type B No spring 0-12 bar (g)	Not available	Not available	 865547
Type N Pneumatic 0-6 bar (g)	Not available	Not available	 865544