

## QC W9 F/ HOSE I.D. 7,0 MM

ART. NO. 80082

### GENERAL



KEOFITT has the widest selection of spare parts and accessories to complete your sampling system



Barbed hose fitting

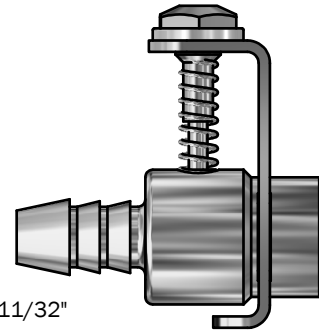
### FEATURES



Connection: W9 hose piece



Outlet: Fitting for tubing ID 9 mm or ID 11/32"



### CERTIFICATION

· QC: 3.1 Material Cert. · O-ring: FDA

### TECHNICAL DATA

#### Materials

· Steel parts                      AISI 316L (1.4404)  
· O-ring                             Silicone

#### Surface

· Outside                         Electropolished  
· Inside                         Ra <= 0.5 µm (Quick Coupling only)

#### Pressure & Temperature

· Pressure                         -  
· Temperature                    -

#### Net Weight

· Kg/lbs                             0,042 kg / 0,09 lbs

#### Spareparts

800830                             O-ring  
-  
-  
-  
-

