

QUICK COUPLING W9/WELDING LINER

ART. NO. 800070

GENERAL



KEOFITT has the widest selection of spare parts and accessories to complete your sampling system.



Compatible with all KEOFITT sampling valves

FEATURES



Connection: W9 hose piece in-/outlets



For 10 x1 st. st. pipe

CERTIFICATION

· 3.1 Material Certificate · O-ring: FDA

TECHNICAL DATA

Material (product contact)

· Steel parts AISI 316L (1.4404)
· O-ring Silicone

Material (without product contact)

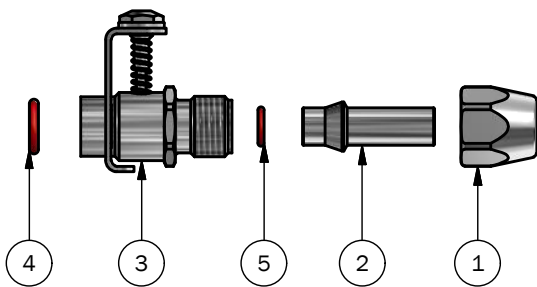
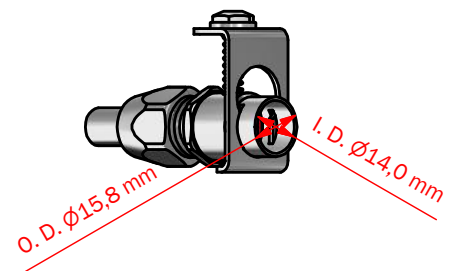
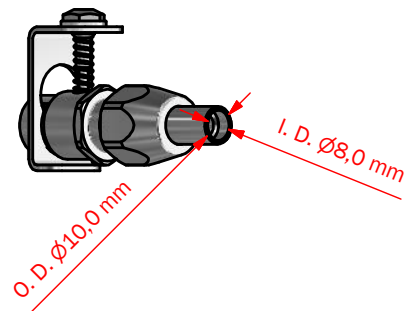
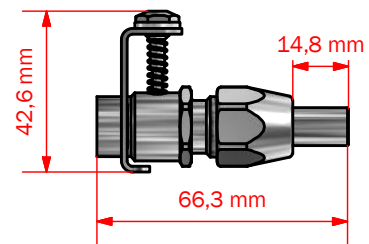
· Steel parts AISI 316L (1.4404)

Pressure & Temperature

· Pressure 0 - 2 bar (g) / 0 - 29 psi (g)
· Temperature 1 - 130° C / 34 - 266° F

Net Weight

· Kg/lbs 0,094 kg / 0,20 lbs



PART LIST

ITEM	QTY	PART NUMBER	TITLE	MATERIAL
1	1	600072	HEX NUT M16 X 1,5	Aisi 316 L / W. 1.4404
2	1	600074	WELDING LINER PIPE 8/10	Aisi 316 L / W. 1.4404
3	1	800171	QUICK COUPLING FOR TEFLON 10/8 mm	
4	1	800830-1	O-RING 10,3 x 2,4 SILICONE FDA	Silicone (red)
5	1	600825-1	O-RING 7,1 x 1,6 SILICONE FDA	Silicone (red)