

## ADJUSTABLE P.R.V. M4

ART. NO. 400059

### GENERAL



KEOFITT has the widest selection of spare parts and accessories to complete your sampling system



Used to accumulate over pressure

### FEATURES



Compatible with all KEOFIT sampling valves with M4 hose piece

### CERTIFICATION

· O-ring: FDA

### TECHNICAL DATA

#### Material (product contact)

- -

#### Material (without product contact)

- Steel parts                      AISI 316L (1.4404)
- O-ring                             Silicone
- Plug                                PTFE

#### Pressure & Temperature

- Pressure                         0 - 3 bar (g) / 0 - 44 psi (g)
- Temperature                    Depending on choice of valve head

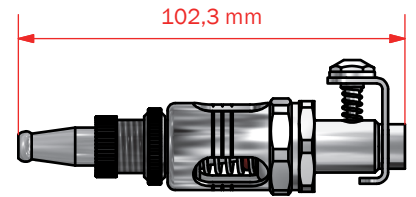
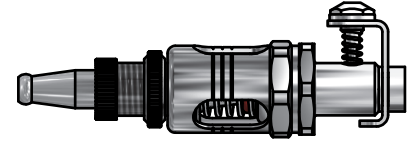
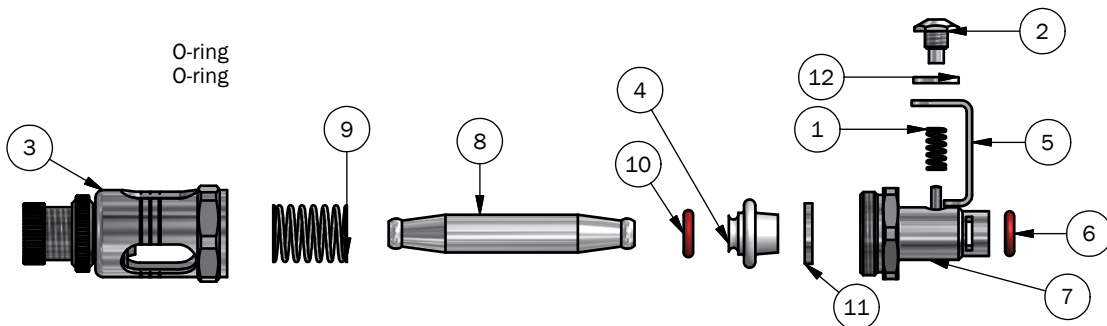
#### Net Weight

- Kg/lbs                             0,156 kg / 0,34 lbs

#### Spareparts

- 400830
- 800859
- 
- 

O-ring  
O-ring



### PART LIST

ITEM	QTY	PART NUMBER	TITLE	MATERIAL
1	1	400480	SPRING FOR QUICK COUPLING M4	AISI 316L (W1.4404)
2	1	400188	SCREW FOR QUICK COUPLING M4	AISI 316L (W1.4404)
3	1	260161	VALVE HOUSE 0-3 BAR	
4	1	900167	PTFE PLUG FOR OLD P.R.V.	PTFE White (TFM 1600)
5	1	400181	CLIP FOR QUICK COUPLING	AISI 316L (W1.4404)
6	1	400830	10 PACK O-RING 5,3 x 2,4 SILICONE FDA	Silicone (red)
7	1	400169	NUT FOR P.R.V. WITH QC	AISI 316L (W1.4404)
8	1	900165	STEEL ROD FOR 0-3 BAR	Aisi 316 L / W. 1.4404
9	1	900411	SPRING	Aisi 316 L / W. 1.4404
10	1	800859	10 PACK O-RING 7,5 x 2,5 SILICONE FDA	Silicone (red)
11	1	900168	RING FOR P.R.V.	Aisi 316 L / W. 1.4404
12	1	400831	WASHER FOR QUICK COUPLING M4/W9	Aisi 316 L / W. 1.4404